

D 015-1.5 D 030-1 D 050-0.5

n.v. delta elektronika



n.v. delta elektronika

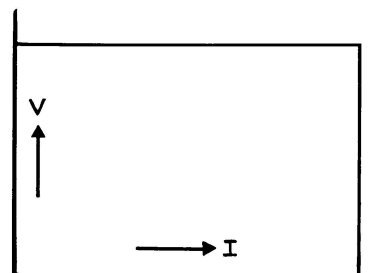
nieuwe boogerdstraat 2 zierikzee holland telefoon (01110) 2734



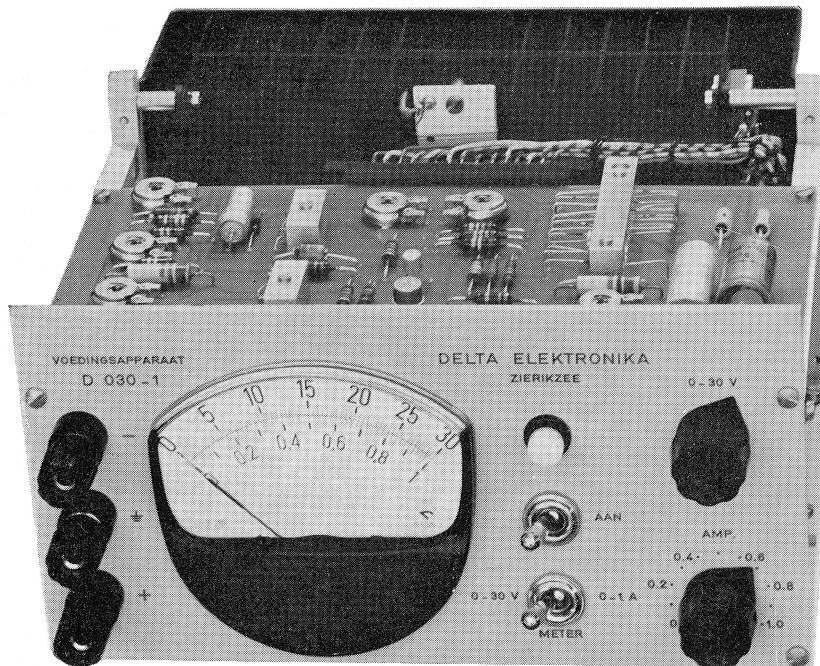
REGULATED POWER SUPPLIES

0 - 15 V	0 - 1.5 A	Model D 015 - 1.5
0 - 30 V	0 - 1 A	Model D 030 - 1
0 - 50 V	0 - 0.5 A	Model D 050 - 0.5

- Voltage and current regulated
- Silicon transistors
- 10-turn potentiometer for voltage control
- Voltage and current programming
- Output terminals are provided at the front and rear panels, and are isolated from the case
- Parallel and series operation into all load conditions
- Constant voltage regulation changes sharply into constant current regulation
- Fully protected against all overload conditions.



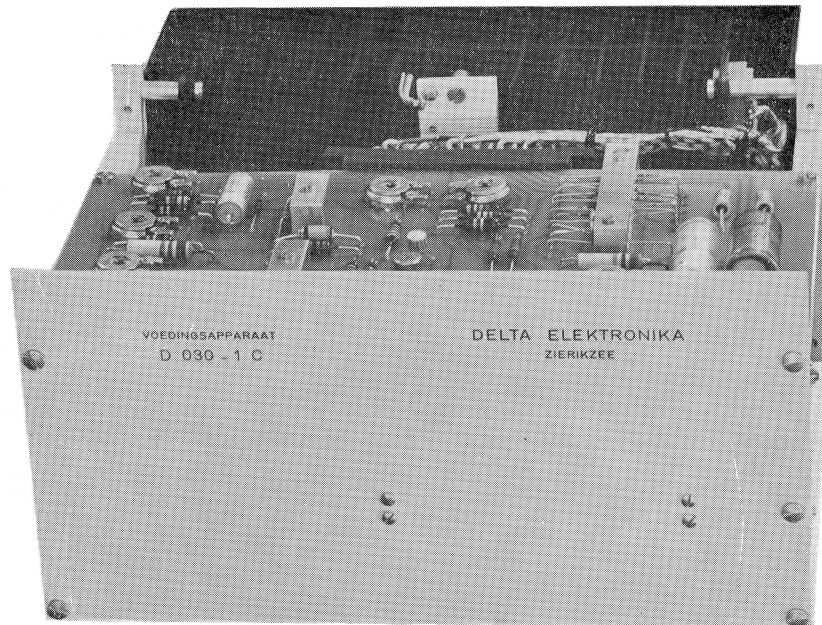
MODEL B



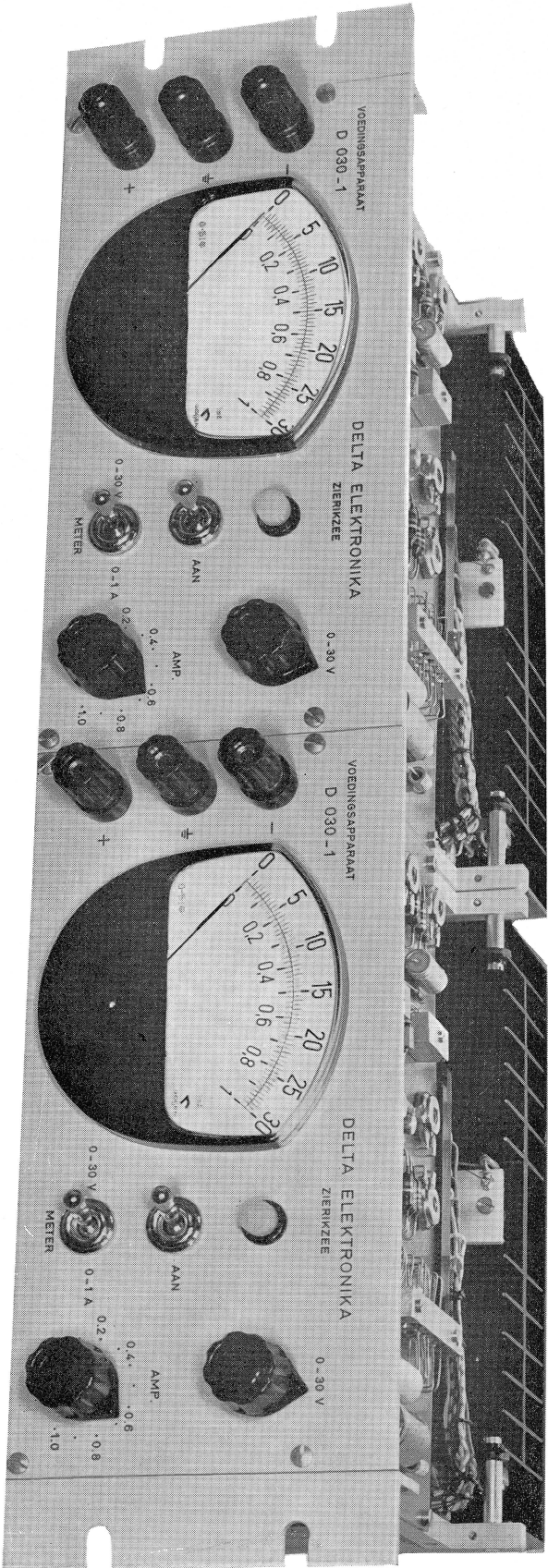
SPECIFICATION

Remote programming	Voltage and current can be programmed by external variable resistors of 0-5000 Ohms which can be connected at the rear panel.
Voltage regulation	The output voltage changes less than + or - 3 mV for a AC line voltage variation of + or - 10 % and less than + or - 10 mV for a maximum load change.
Current regulation	The output current changes less than + or - 1 mA for a AC line voltage variation of + or - 10 % and less than + or - 5 mA for a maximum load change.
Ripple voltage	Less than 0.1 mV r.m.s. at voltage regulation.
Ripple current	Less than 0.05 mA r.m.s. at current regulation.
Output impedance	Less than 100 milli-ohms at 100 kHz load frequency.
Temperature coefficient	The temperature coefficient of the constant voltage is less than + or - 0.03 % per °C.

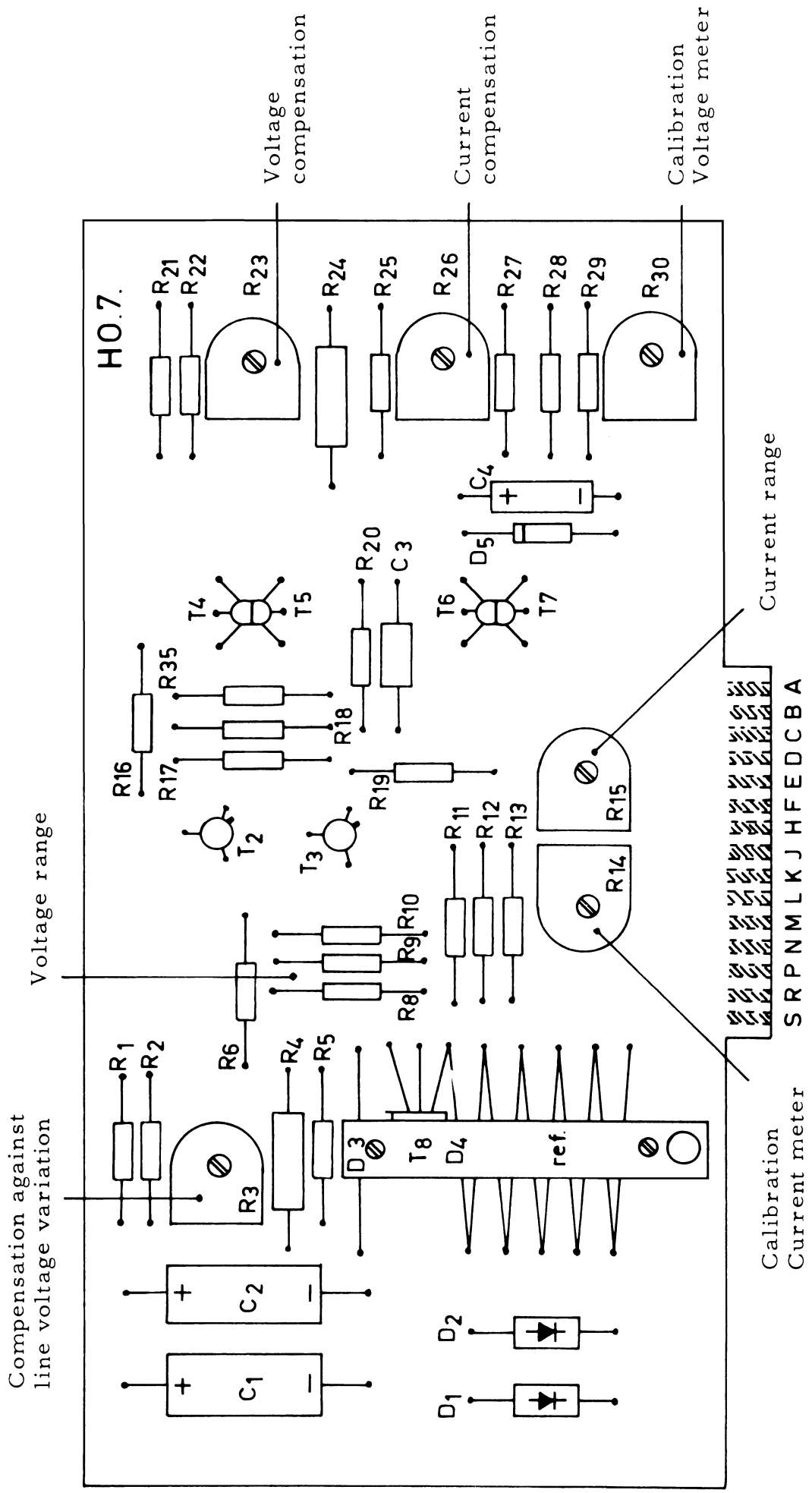
MODEL C



Cooling	By natural convection through a vertically mounted heatsink. Air must flow freely through the heatsink which has a maximum heat dissipation of 40 watts at the lowest output voltage and largest current working condition.
Model types	<p>These types are available for each of the three models; when ordering suffix the model type number with the appropriate letter.</p> <p>Type A is a bench model with case.</p> <p>Type B is uncased.</p> <p>Type C is uncased and has no meter or front panel controls.</p>
Input voltage	110 – 130 – 200 – 220 – 240 V, 50 – 60 Hz, by changing the solder connections on the transformer.
Weight	<p>Model A 5.4 kgs</p> <p>Model B 4.5 kgs</p> <p>Model C 4.1 kgs</p>
Dimensions	215 x 110 x 221 mm (width x height x depth) without case.

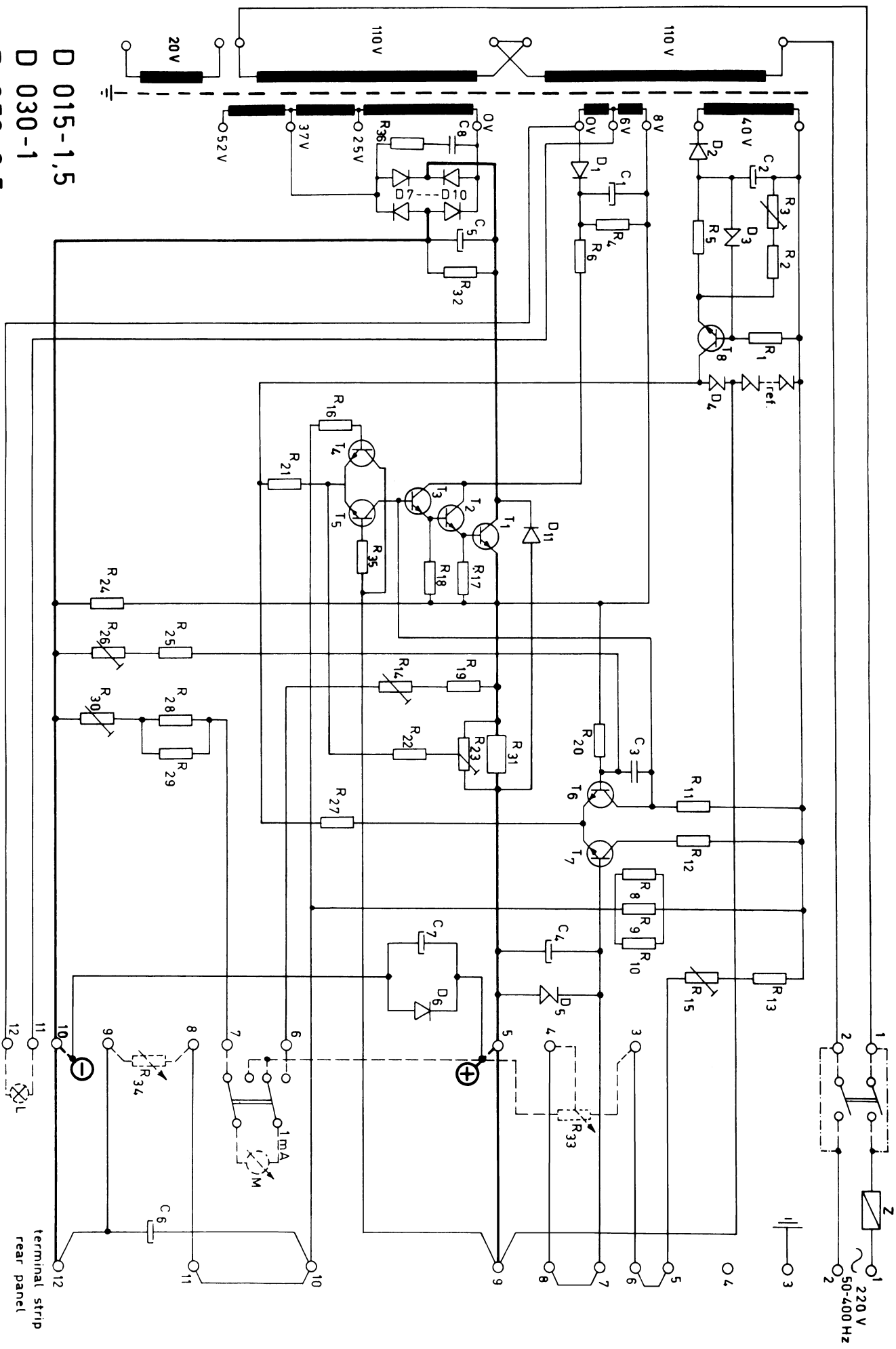


Two units can be mounted side by side and with the addition of two H1 brackets can be inserted in a 19" rack.



D 015-1,5 D 030-1 D 050-0,5

DELTA ELEKTRONIKA



D 015-1,5
 D 030-1
 D 050-0,5

N.V. DELTA ELEKTRONIKA zierikzee

----- only for models A and B
 - - - - - only for model C

terminal strip behind front panel
 (only for model C)

R (Ohm) $\frac{1}{2}$ W

D 015-1,5	D 030-1	D 050-0,5
1 = 15 k		
2 = 100 k		
3 = 1 m var.		
4 = 1 k (1 W)		
5 = 680 2%	470 2%	330 2%
6 = 82		
7 = vervallen		
8 = afregel 2%		
9 = afregel 2%		
10 = afregel		
11 = 100 k		
12 = 12 k		
13 = 18 k		
14 = 1 k var.		
15 = 10 k var.		
16 = 820		
17 = 100		
18 = 4,7 k		
19 = 3,3 k		
20 = 220		
21 = 8,2 k		
22 = 22 k		
23 = 1 k var.		
24 = 470 (1 W)	1,5 k (1W)	4,7 k (1W)
25 = 100 k		
26 = 1 m var.		
27 = 8,2 k		
28 = afregel		
29 = 15 k 2%	30 k 2%	50 k 2%
30 = 1 k var.		
31 = 1,67 k dr.	4 dr.	8 dr.
32 = 1,5 k (5 W)		
33 = 5 k potm.)) alleen bij uitvoering A en B	
34 = 5 k 10 sl.potm.)		
35 = 820		
36 = 82		

R5, R8, R9 en R29 = metaalfilm

C (microfarad)

1 = 250	15 V
2 = 50	70 V
3 = 0,0033	160 V
4 = 10	100 V
5 = 2500	70 V
6 = 10	100 V
7 = 500	70 V
8 = 0,22	250 V
in D 050-0,5 is	
5	2500 100 V

1 = 1N3193	RCA
2 = 1N3193	RCA
3 = ZG 6,8	Intermet.
4 = ZG 6,8	Intermet.
5 = ZG 6,8	Intermet.
6 = MR 1031 B	Motorola
7 = MR 1031 B	Motorola
8 = MR 1031 B	Motorola
9 = MR 1031 B	Motorola
10 = MR 1031 B	Motorola
11 = 1N3193	RCA

T 1 = 2N3055	RCA
2 = 2N3053	RCA
3 = 2N3704	TI
4 = 2N3704	TI
5 = 2N3704	TI
6 = 2N3704	TI
7 = 2N3704	TI
8 = 2N3053	RCA

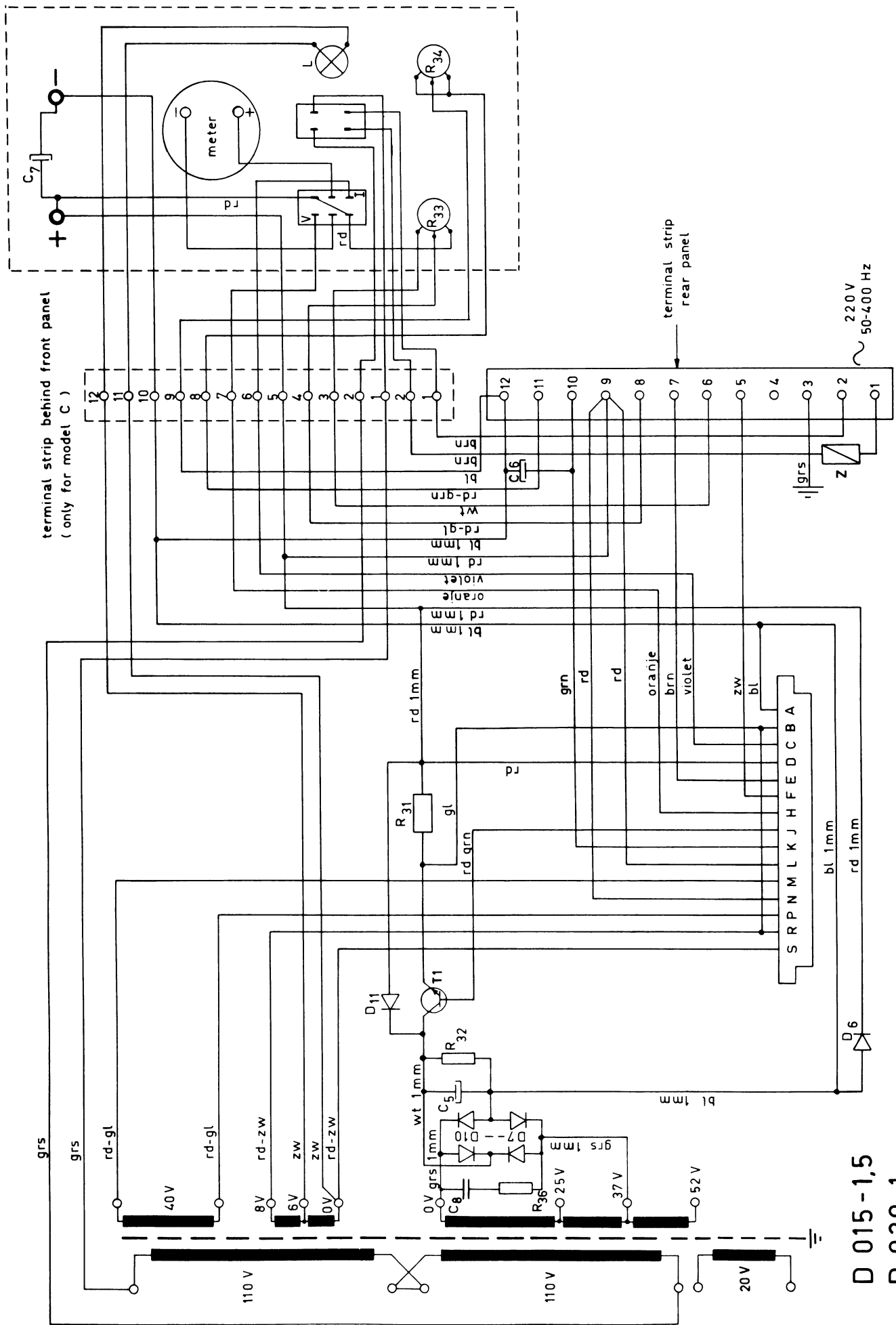
Ref. = referentieeenheid (kombinatie met lage temp. koëffizient).

L = Liliput telefoonlampje
6 V 0,04 A.

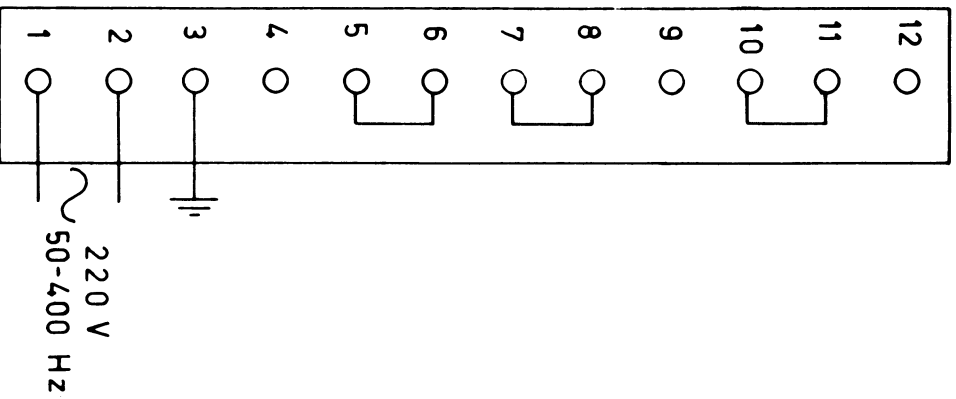
H 1 = los hoekstuk voor rekmontage.

D 015-1,5 D 030-1 D 050-0,5

DELTA ELEKTRONIKA

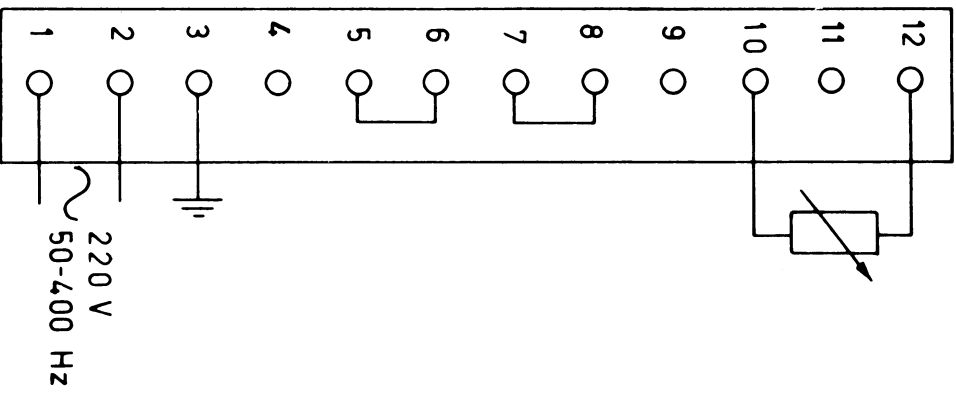


D 015-1,5
D 030-1
D 050-0,5



Voltage and current adj. internal.

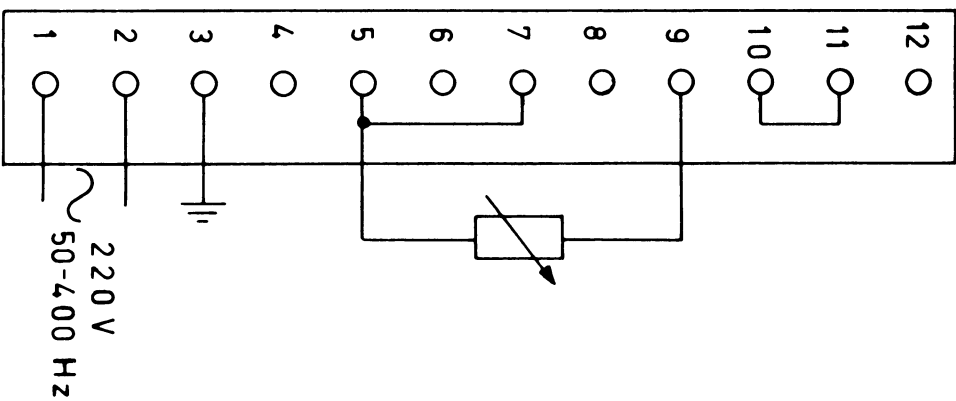
D 015-1, 5



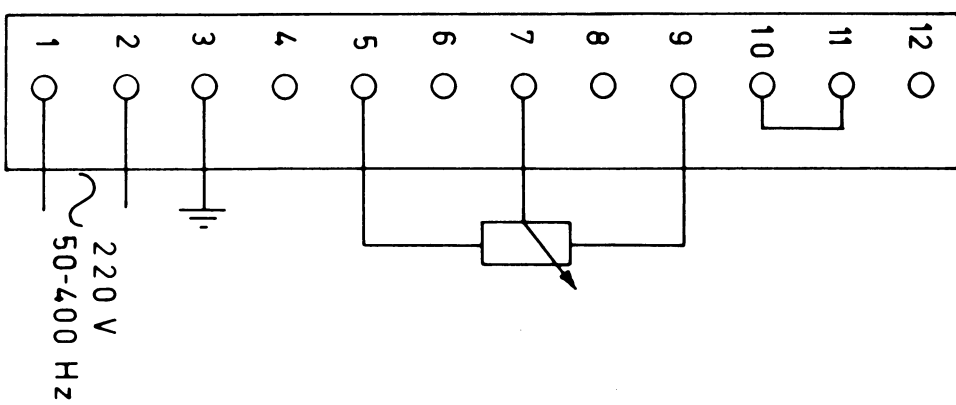
Voltage adj. external with var. resistor 0-5k.

D 030-1

D 050-0, 5



Current adj. external with var. resistor 0-5k.



Current adj. external with pot. meter 5k.

DELTA ELEKTRONIKA